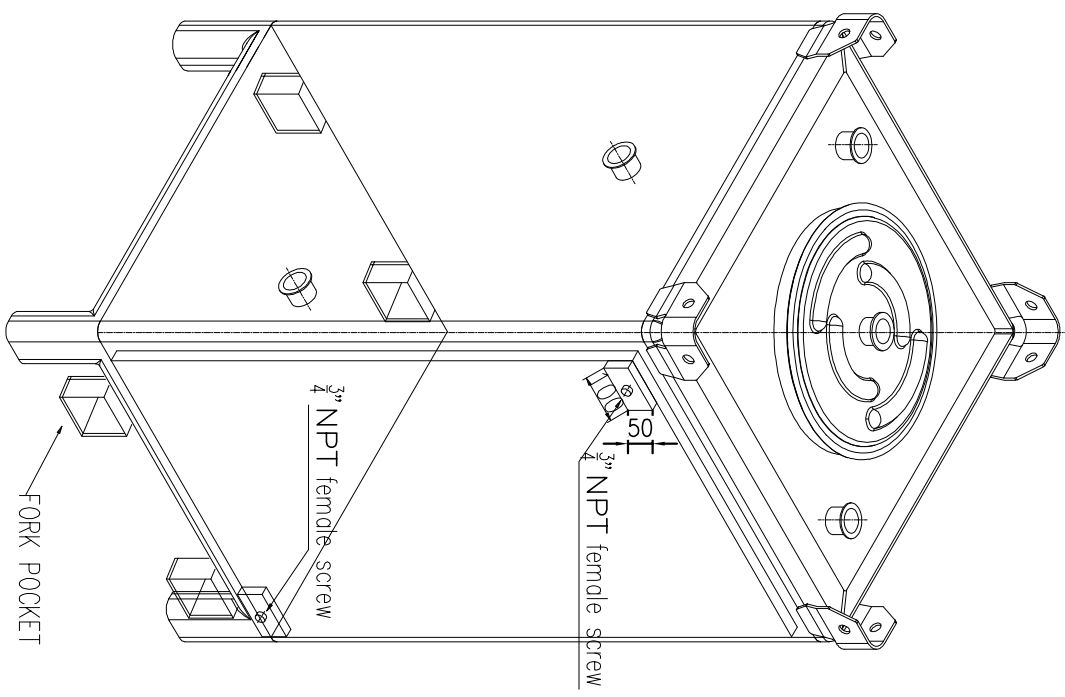
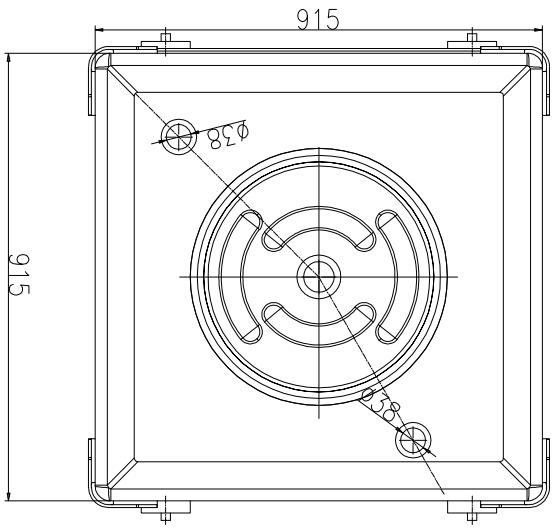
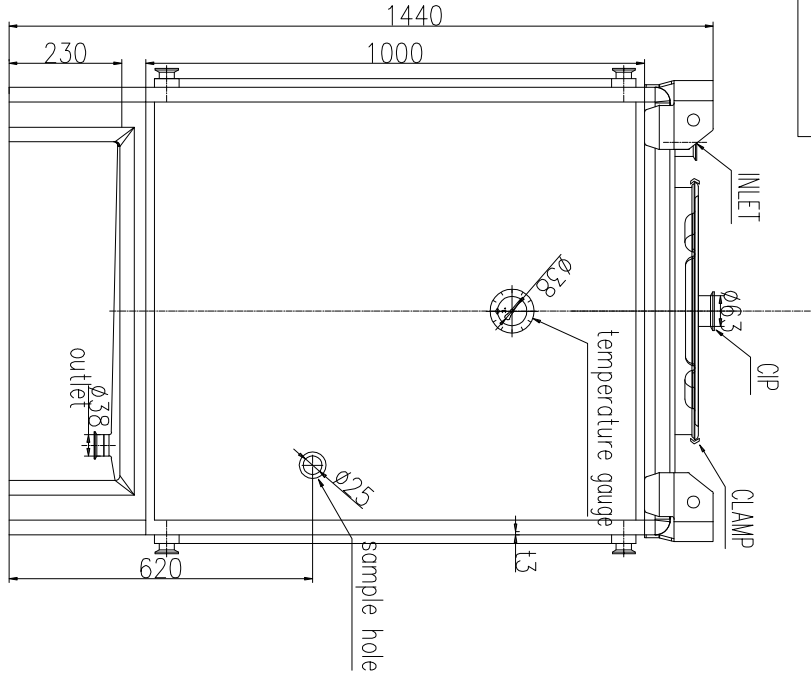



Sd20A0098



| | | | | | | |
|----------------|------------|------|------|---------------------|------|--|
| responsibility | | sign | date | Cedarstone industry | |  General chart |
| design | Jerry Surf | | | 940L (248gal) TANK | | |
| drawing | Smith | | | proportion | 1:50 | material |
| check | lan | | | | | 304/316 |
| on/drafting | C.S. | | | | | |