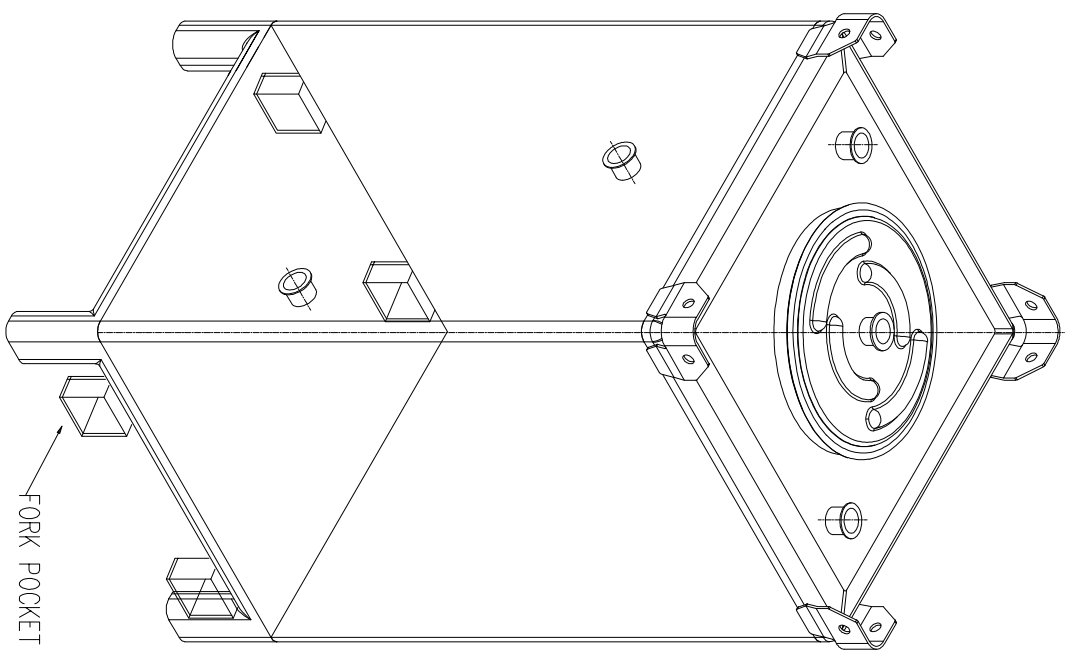
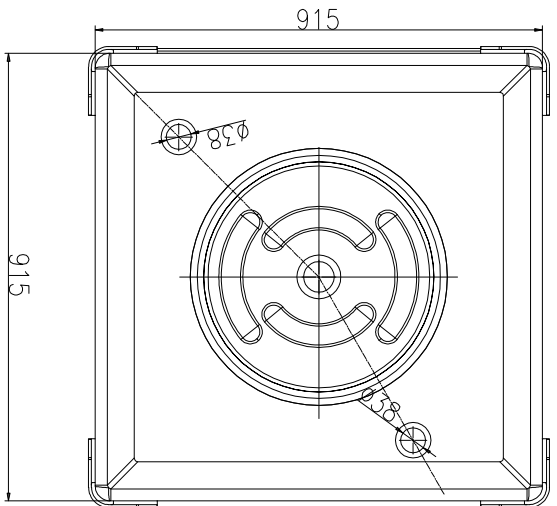
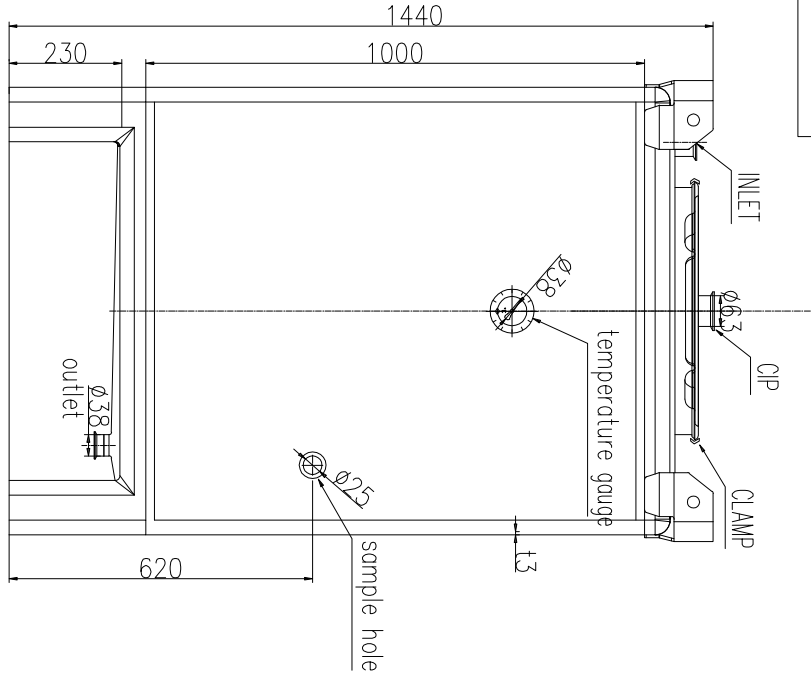



Sd20A0098



responsibility		sign	date	Cedarstone industry		 CEDARSTONE GENERAL CHART
design	Larry Surf			940L (248gal) TANK		
drawing	Smith			proportion	1:50	material
check	lan					304/316
on/drafting	C.S.					